

## Features

- 10 x 32 stainless steel binding post to connect ground straps and wiring
- Hinged cover and outside mounting feet
- Sectionalized grommet in base for wire entry
- Made in USA

## 7040 Series – Station Protector Enclosure

TDI Model 7040 Series Station Protector is designed to protect telecommunication network services from overvoltages at the subscriber end of the loop. The 7040 accommodates up to two Station Protectors or one ADSL/VDSL POTS Splitter and one Station Protector.

The 7040 features a versatile, weather resistant enclosure, manufactured of high-impact resistant, ultraviolet-desensitized, flame retardant plastic. The enclosure can be custom embossed with a company logo or other details (see Custom Logo/Housing in How to Order chart below).

### How to Order

**7040 - 0X - X X - X1**

**Model Number Designator** \_\_\_\_\_

**Number of Twisted Pair Lines** \_\_\_\_\_  
 1 = One Line (Max. for DSL)  
 2 = Two Lines

**Station Protector Options** \_\_\_\_\_

D<sup>1</sup> = 455HS-MSP (2377-45-HS) Voice/Data/DSL (UL, cUL)  
 U<sup>3</sup> = 455HS-MSP (2377-45-HS-IDC) Voice/DSL/Data (UL, cUL)  
 Z<sup>1</sup> = 455HS-BC\* (2377-45-BC) Balance-Sensitive DSL (UL, cUL)  
 W<sup>3</sup> = 455HS-BC\* (2377-45-BC-IDC) Balance-Sensitive DSL (UL, cUL)  
 V<sup>3</sup> = 455-MSP-TBU (2377-45-HS-TBU) MSP w/TBU® Protector (UL, cUL)  
 Q<sup>3</sup> = 455BC-MSP-TBU\* (2377-45-BC-TBU) Balance-Sensitive MSP w/TBU® Protector (UL, cUL)

E<sup>2</sup> = 155HS-MSP (2378-35-HS) Voice/DSL/Data (UL, cUL)  
 Y<sup>2</sup> = 155HS-BC\* (2378-35-BC) Balance-Sensitive DSL (UL, cUL)  
 G = 155G (2378-35-G) Balanced GDT, No Back-Up-Gap (UL, cUL)  
 K = 356G (2377-35-G) Balanced GDT, No Back-Up-Gap (UL, cUL)  
 R<sup>3</sup> = 356G (2377-35-G-IDC) Balanced GDT, No Back-Up-Gap (UL, cUL)

O = No Station Protectors (Not available with DSL configurations)

\*For DSL systems requiring capacitive balance within 1 pF.  
 Note 1 = Digi.Guard - 356 size, RUS Maximum Duty  
 Note 2 = Digi.Guard II - 125 size, RUS Heavy Duty  
 Note 3 = Insulation Displacement Connectors (IDC)

**Custom Logo/Housing** \_\_\_\_\_  
 Special markings available.  
 Leave blank if no special logo desired.

**POTS Splitter Options** † \_\_\_\_\_

P1 = (1) 3610A2 ADSL 2+ POTS Splitter, UL Listed  
 P1-I = (1) 3610A2-IDC ADSL 2+ POTS Splitter w/IDC, UL Listed  
 V1 = (1) 3610V2 VDSL 2 POTS Splitter, UL Listed  
 V1-I = (1) 3610V2-IDC VDSL 2 POTS Splitter w/IDC, UL Listed

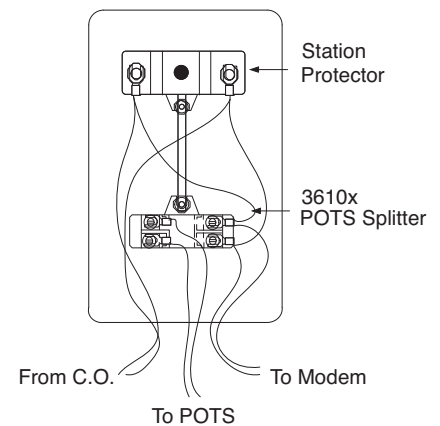
† **DSL Configuration Note:** Can only be ordered in one line configurations.

### Product Dimensions

High	Wide	Deep
$\frac{144.8}{(5.7)}$	$\frac{86.4}{(3.4)}$	$\frac{55.9}{(2.2)}$

DIMENSIONS:  $\frac{\text{MM}}{\text{(INCHES)}}$

### Installation Diagram



### Contact:

**Deanna Sellars**  
 208-660-3702  
 Deanna@ospproducts.com

OR

**Tom Wilkinson**  
 208-660-5135  
 Tom@ospproducts.com

REV. 1 01/19

Specifications are subject to change without notice.

The device characteristics and parameters in this data sheet can and do vary in different applications and actual device performance may vary over time. Users should verify actual device performance in their specific applications.